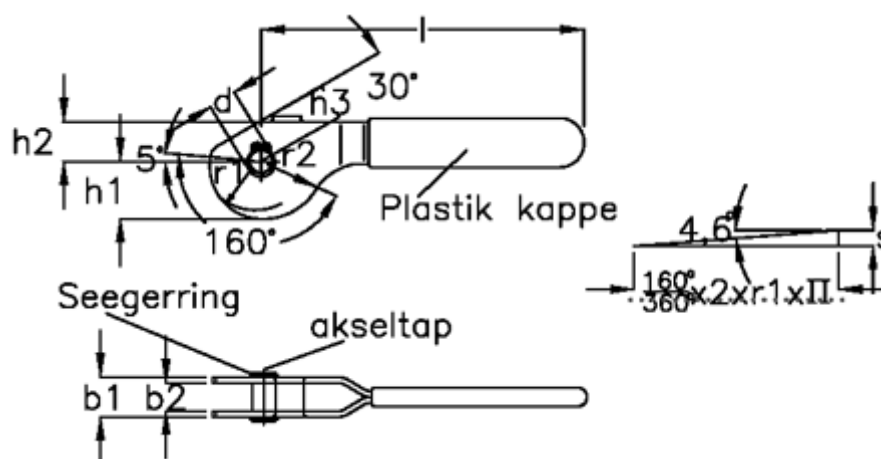


Article number: 20561038

Description: E+G Steel-double cam lever
GN 917.1-10-17

Measures



$B1 = 17$	$r2 = 26.45$
$B2 = 12$	$r2-h3 = 11.45$
$d = 10$	$s = 4.85$
$H1 = 24.54$	
$H2 = 17$	
$H3 = 15$	
$L = 138$	
$r1 = 21.6$	